

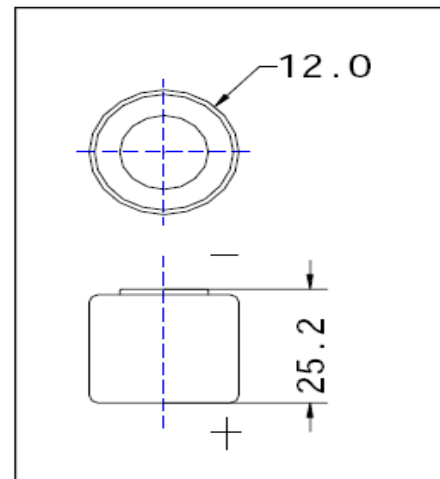


## 2CR1/3N

### 6.0V 160mAh

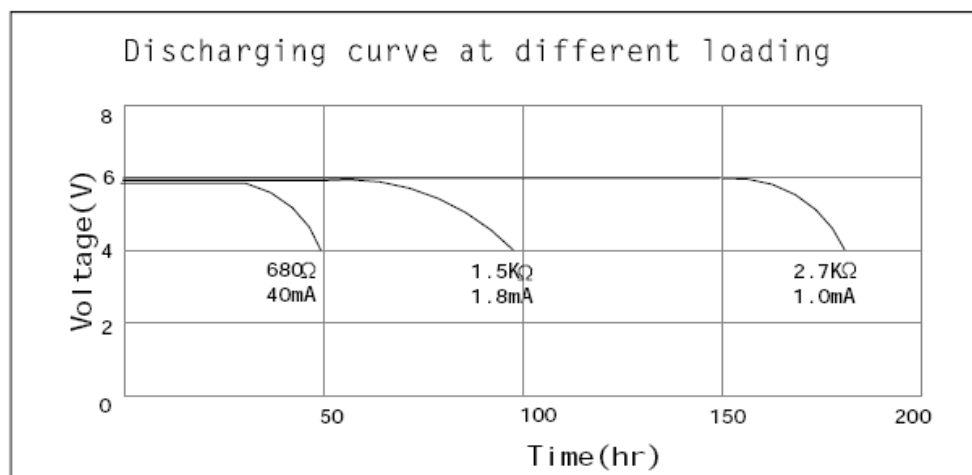
Lithium-manganese dioxide batteries

Nominal capacity (2mA to 4.0V)	160 mAh
Nominal voltage	6.0 V
Max. Continuous operating current	50 mA
Max. pulse current	80 mA
Battery weight	8 g
Battery Dimension	Φ 12.0 × 25.2 mm
operating temperature	-40°C ~ +60°C



Notes: All dimensions are in mm.  
Tolerance is  $\pm 0.3$ mm.

**Characteristics:**



**Warning:**

- .Do not short-circuit;
- .Do not recharge, force over-discharge, assemble / disassemble and crush; risk of fire and burns;
- .Do not use under temperature above specified range