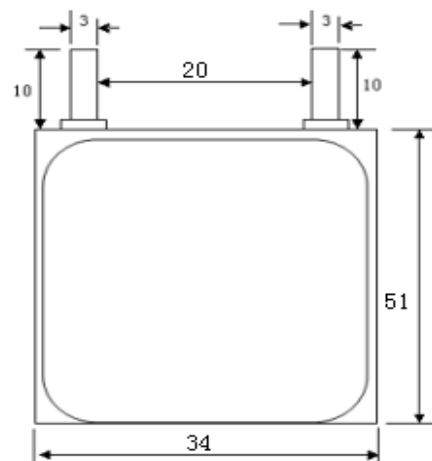


**DATE SHEET-CP603450**

3.0V 2300mAh

**Electrical characteristics**

Type	CP603450
System	lithium/ manganese dioxide
Nominal capacity (mAh)	2300@5mA to 2.0V @23°C
Rated voltage (V)	3.0
Impedence at 1kHz (Ω)	3
Max. continuous current (mA)	1200
Max. pulse current (mA)	1500
Storage temperature	-20 ~+40 °C
Operation temperature range	-20°C ~+60°C
Weight (g)	18.0
Specific energy	390Wh/Kg
Energy density	660Wh/L
Anode tape/cathode tape	Aluminum/Nickel
Self Discharge Rate	Under 2% for years@30°C
Jacket	Flexible Aluminum Foil Packaging
Max. dimensions (mm)	6.0×34×51



**Key Features**

- High Energy Density
- High single cell voltage
- Light weight
- Small Size
- High security
- Stable operating voltage
- Wide Operating temperature range
- Low Self-discharge rate
- Flexible on shape design
- Restricted for UL、UN38.3 and ROHS
- UL file: MH45782

Any special or specific for shape, thickness or discharge rate, please consult GMB.



**Guangzhou Markyn Battery Co., Ltd.**

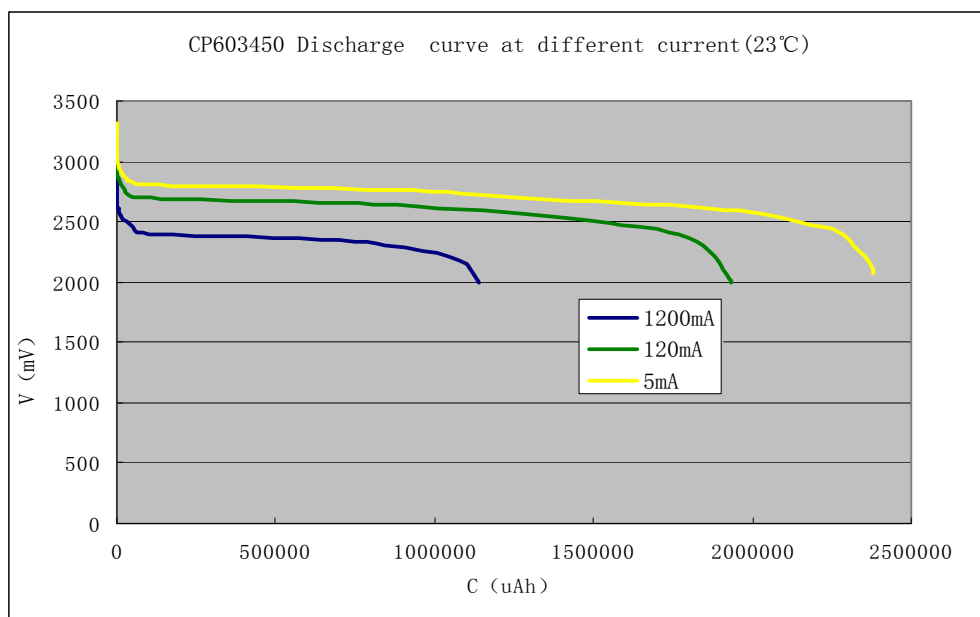
YiJia Industrial Park , Shixin Road 1100 ,Nancun Town,Panyu District, Guangzhou P.R.C  
Tel:(86)20 — 8456 0852  
Fax:(86)20 — 3476 7936  
Email:sales@gmbattery.com

**Discharge Curve**

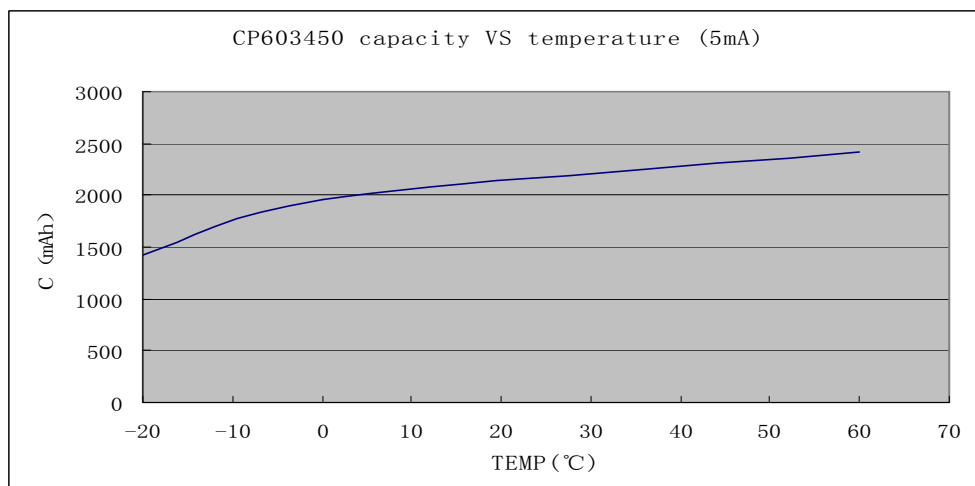
**DATE SHEET- CP603450**

Constant Current

3.0V 2300mAh



**Capacity VS Temperature**



Guangzhou Markyn Battery Co., Ltd.

YiJia Industrial Park , Shixin Road 1100 ,Nancun

Town,Panyu District, Guangzhou P.R.C

Tel:(86)20 — 8456 0852 FAX:(86)20 — 3476 7936

Email: [sales@gmbattery.com](mailto:sales@gmbattery.com)

