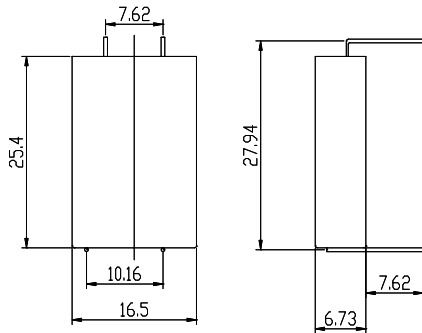


► MODEL NO.: EF651625

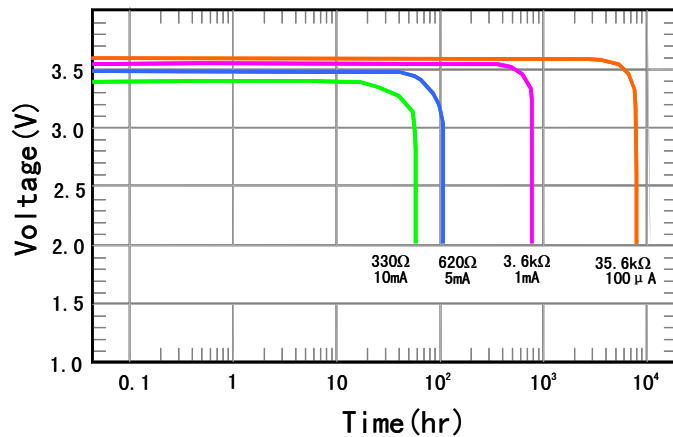


■ SPECIFICATION: ( $23 \pm 2^\circ\text{C}$ )

Nominal capacity (0.5mA ~ 2V):	0.75 A h
Rated voltage:	3.6 V
Max constant current of discharge:	10mA
Max discharge current (pulse):	30 mA
Weight:	8 g
Operating temperature range:	-55~85°C

U.L. Component Recognition MH 45782

■ Discharge characteristics at  $23 \pm 2^\circ\text{C}$

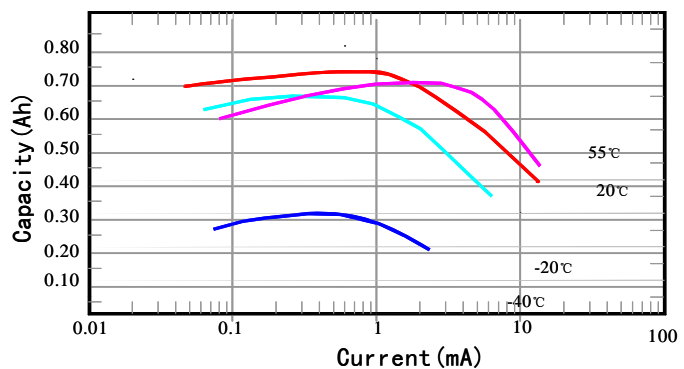


S: Standard termination

Notes:

- Dimension: mm
- Special terminations can be Made as requested.
- T: Solder tabs
- P: Axial pins

■ Capacity VS. Current



■ Important Notes:

- Do not short or charge the battery.
- Over-discharging, crushing, incinerating, and disassembling the battery are prohibited.
- Do not heat/use the battery beyond the permitted temperature range.

■ Voltage VS. Temperature

