

LITHIUM PRIMARY BATTERIE



Cell size references:AAA

Electrical characteristics

(Stored for one year or less)

| | |
|--|---------------|
| ◉ Nominal Capacity (10mA to 2.0V, at 25°C) | 600mAh |
| ◉ Nominal voltage | 3.6V |
| ◉ Max continuous discharge current | 50mA |
| ◉ Max. Pulse current Current value is obtaining 2.0V cell voltage when pulse is applied for 15 seconds at 50% discharge depth at 25°C | 100mA |
| ◉ Storage temperature | 20°C ~ 30°C |
| ◉ Operating temperature | -20°C ~ 150°C |
| ◉ Weight(approx) | 9g |

WARNING:

Fire, explosion and severe burn hazard. Do not recharge, crush, disassemble, heat above 150°C, incinerate or expose contents to water.

ER10450S 3.6V 600mAh

lithium-thionyl chloride batteries

Key features

- High and stable operating voltage
- Low self-discharge rate
Less than 1% after 1 year of storage at 20°C
- Stainless steel container
- Hermetic glass-to-metal sealing
- Non-flammable electrolyte
- Compliant with IEC 86-4 safety standard
- Non-restricted for transport

Main applications

- TPMS
- Alarms and security system
- Memory back-up
- Tracking system
- Automotive electronics
- Professional electronics
- Computer real-time clocks

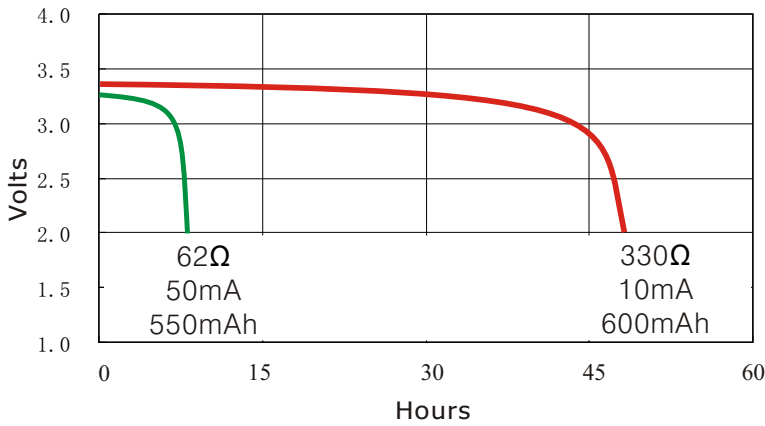
.....

LITHIUM PRIMARY BATTERIE

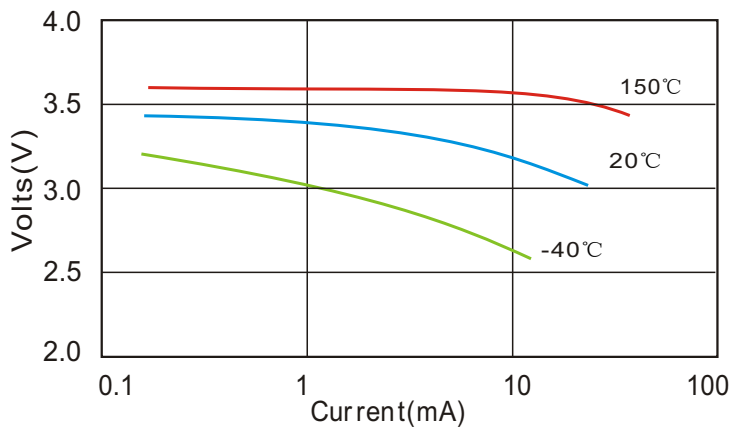
ER10450S

lithium-thionyl chloride batteries

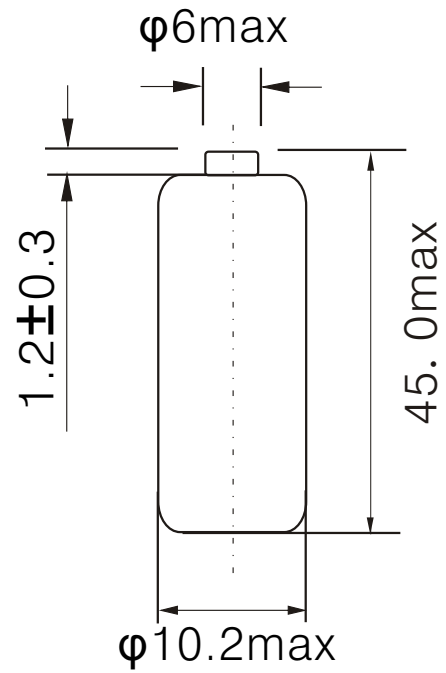
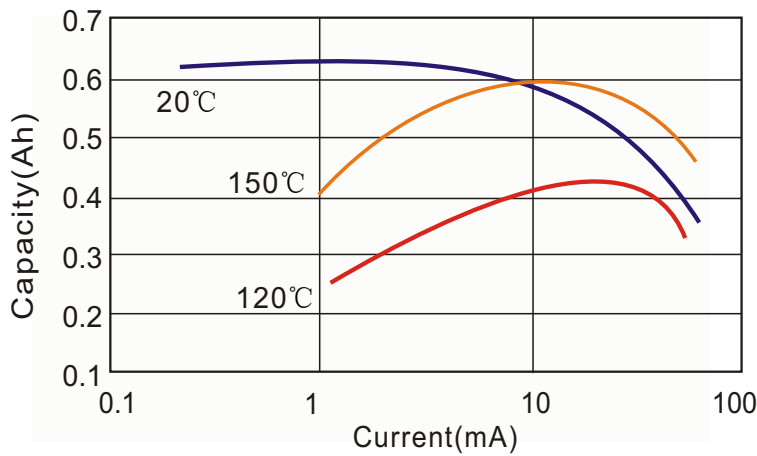
Typical discharge at 150°C



Voltage plateau versus Current and Temperature



Capacity versus Current and Temperature



Unit: mm

| Available Terminations | |
|------------------------|---------------|
| -/P | Axial Pin |
| -/T /PT2 | Radial Pin |
| -/PT /TP | Polarized Tab |