



PRODUCT SPECIFICATION

DOC NO.: GMBT/C-RQ-PS-LF019

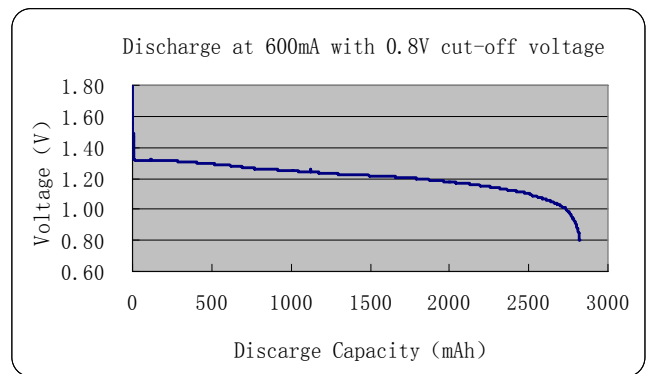
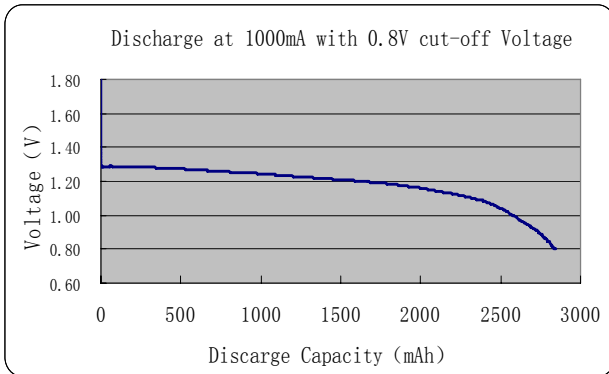
REV. : R1.0

PAGE : 2 of 2

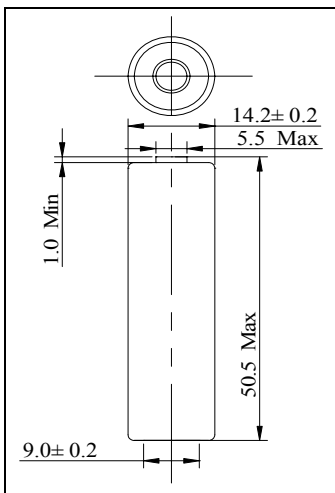
6. Test Procedure and Its Standard

Item	Measuring Procedure	Standard
6.1 Appearance	Visual	As item 4
6.2 Dimension	Caliper	As item 8
6.3 Weight	Scale	As item 3.2
6.4 Max.continuous work current	Until final discharge voltage	2000mA
6.5 Open Circuit Voltage	Measure open circuit voltage	$\geq 1.70V$
6.6 Rated capacity	The battery discharge until final measure the capacity	$\geq 2700mAh$

7. Performance



8. Dimension(mm)



9. Appearance

