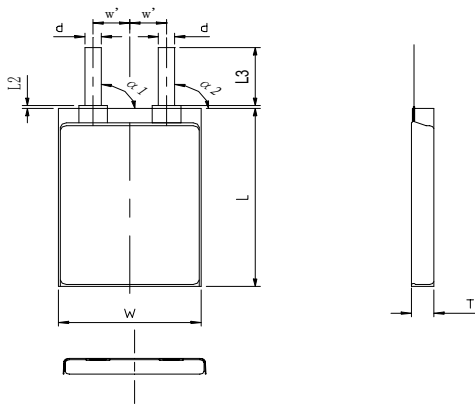


501230

Items		Normal	Remark
Capacity	Typ.	120mAh	0.2CmA(24mA) discharge
	Min.	120mAh	
Voltage		3.7V	0.2CmA (440mA) average voltage
Internal Resistance		≤60mΩ	
Power Off Voltage		2.75V	
Charging Current		120mA	Standard charging
Maximum Charging Voltage		4.25V	
Charging Time		about 2.5h	120mA charging
Maximum Charging Current		180mA	1.5CmA
Maximum Discharge Current		240mA	2.0CmA
Approximate Weight		about 3g	
Operating Temperature and Humidity	Charging	0~+45°C	
	Discharge	-20~+60°C	
Storage Temperature	<1 month	-20~+45°C	Recommended storage temperature during transportation is at 23°C
	>6 months	-20~+35°C	



Demension	Unit
T (MAX)	5mm
W (MAX)	12.5mm
L (MAX)	30.5mm
L2	1±0.5mm
L3	9±1mm
W'	5±1mm
d	5mm
a1	90±5°
a2	90±5°

T: Thickness W': Tab center length
W: Width d: Tab width
L: Length a1: Tab angle
L2: Tape Height a2: Tab angle
L3: Tab Height

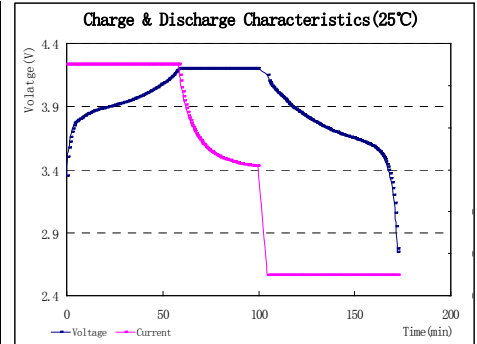


Figure 1 Charge & Discharge Characteristic

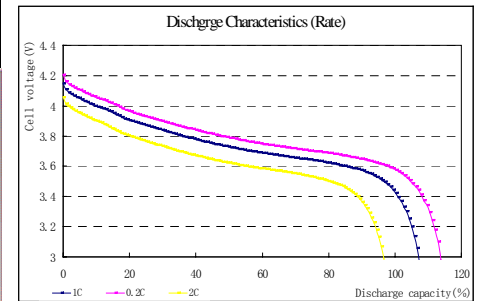


Figure 2 Discharge Characteristic

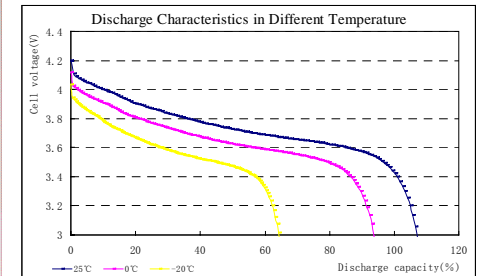


Figure 3 Discharge Characteristic in Different T

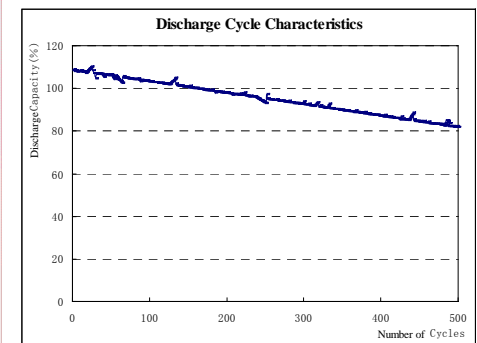


Figure 4 Discharge Cycle Characteristic