

**Electrical characteristics**

**DATE SHEET-CP202914**

Type CP202914

3.0V 50mAh

System lithium/ manganese dioxide

Nominal capacity (mAh) 50@5mA to 2V @23°C

Rated voltage (V) 3.0

Impedence at 1kHz (Ω) 10

Max. continuous current (mA) 20

Max. pulse current (mA) 50

Storage temperature -20 ~+40 °C

Operation temperature range -20°C ~+60°C

Weight (g) 1.0

Specific energy 150Wh/Kg

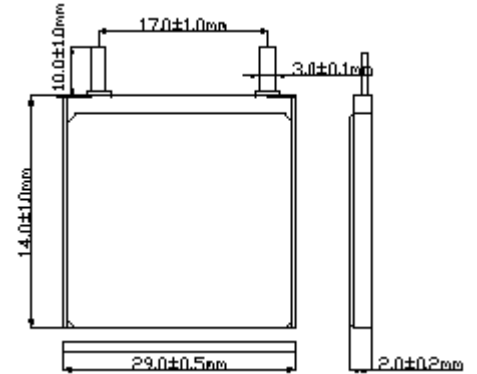
Energy density 170Wh/L

Anode tape/cathode tape Aluminum/Nickel

Self Discharge Rate Under 2% for years@30°C

Jacket Flexible Aluminum Foil Packaging

Max. dimensions (mm) 2.2×29.5×15



**Key Features**

- High Energy Density
- High single cell voltage
- Light weight
- Small Size
- High security
- Stable operating voltage
- Wide Operating temperature range
- Low Self-discharge rate
- Flexible on shape design
- Restricted for UL、UN38.3 and ROHS
- UL file: MH45782

Any special or specific for shape, thickness or discharge rate, please consult GMB.



Guangzhou Markyn Battery Co., Ltd.

Block 2, haijing Road 06, Markyns industrial Zone, Xinzao Town, Panyu District, Guangzhou, P.R.C..

Tel: (86)20 — 34729558 Fax:(86)20 — 3476 5531

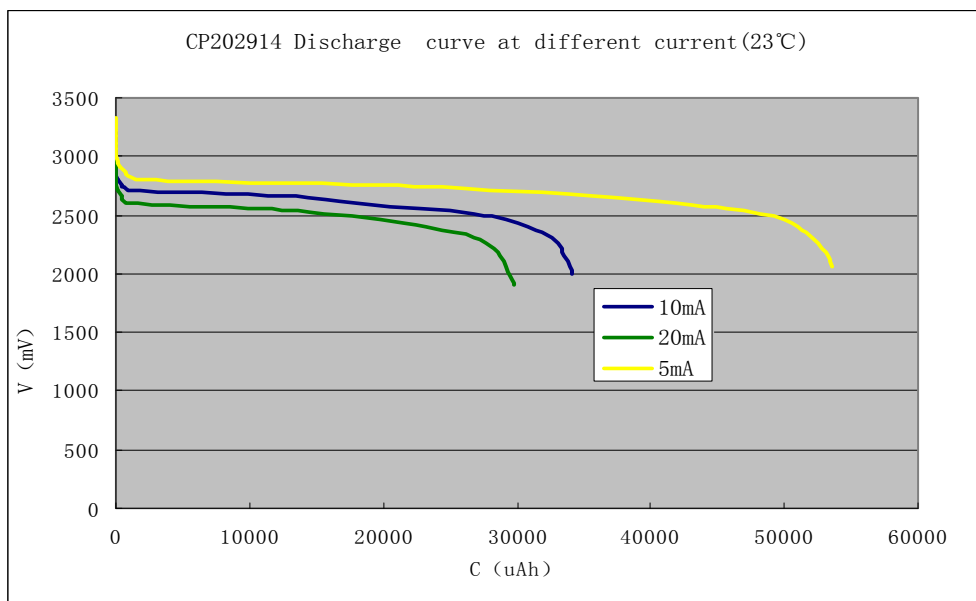
Email:sales@gmbattery.com

## Discharge Curve

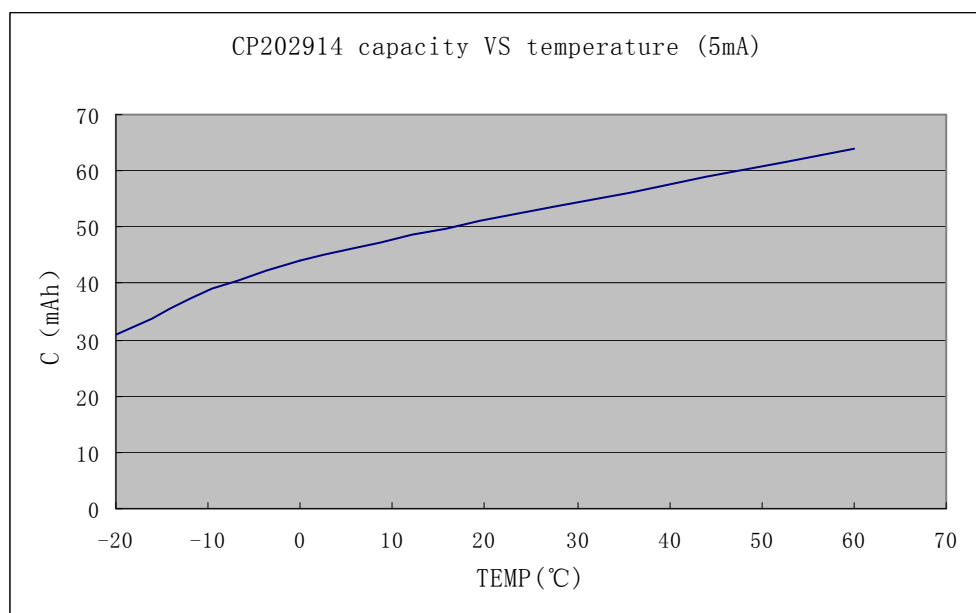
DATE SHEET- CP202914

Constant Current

3.0V50mAh



## Capacity VS Temperature



Guangzhou Markyn Battery Co., Ltd.

Block 2, haijing Road 06, Markyns industrial Zone, Xinzao Town,  
Panyu District, Guangzhou, P.R.C..

Tel: (86)20 — 34729558 Fax:(86)20 — 3476 5531

Email:sales@gmbattery.com

